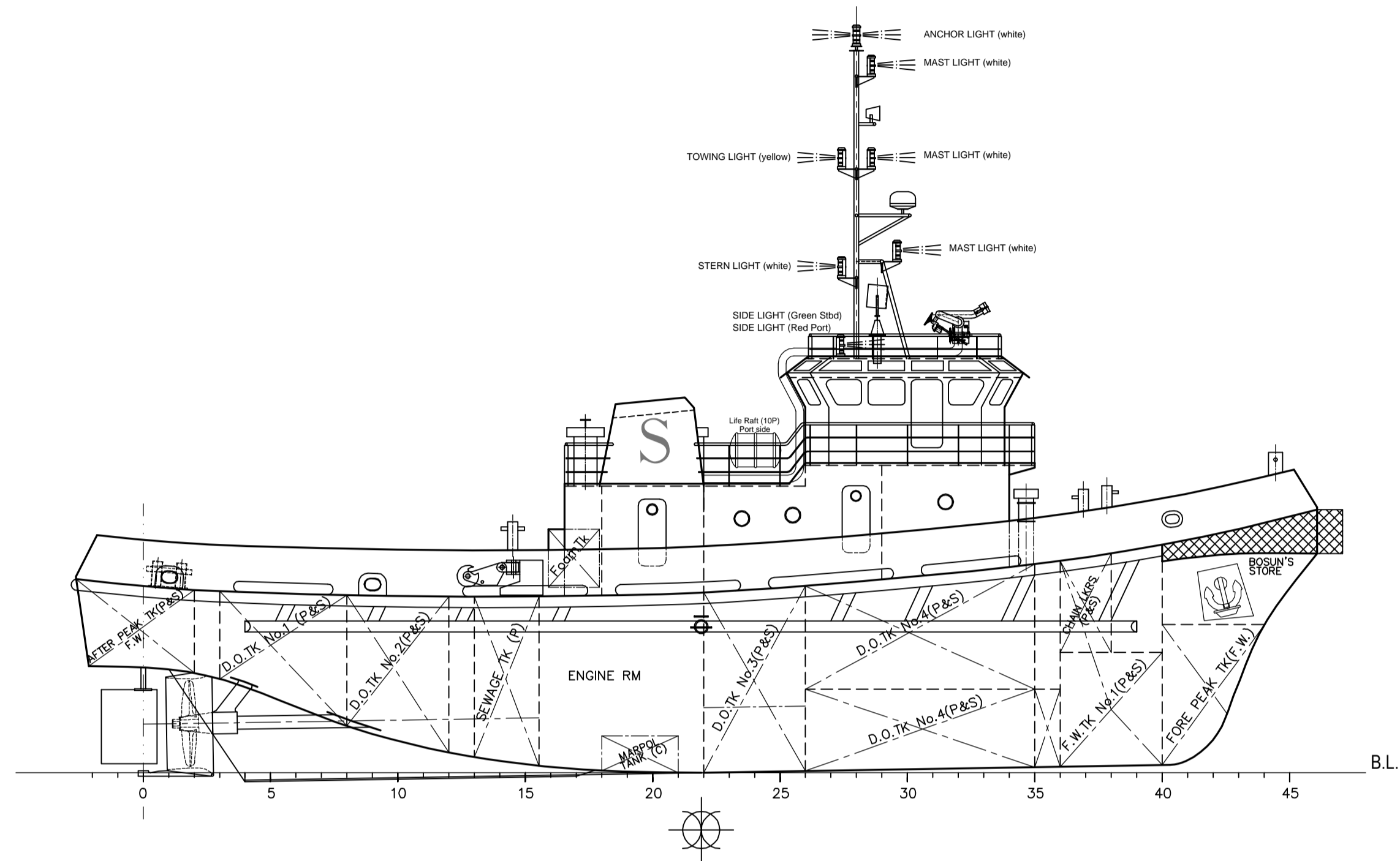
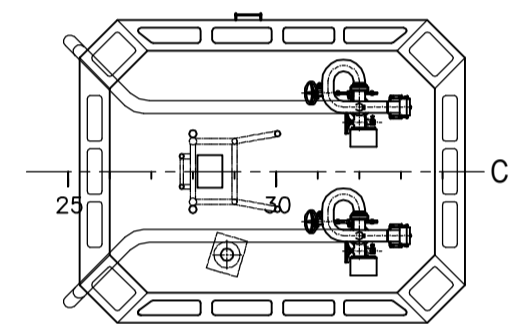


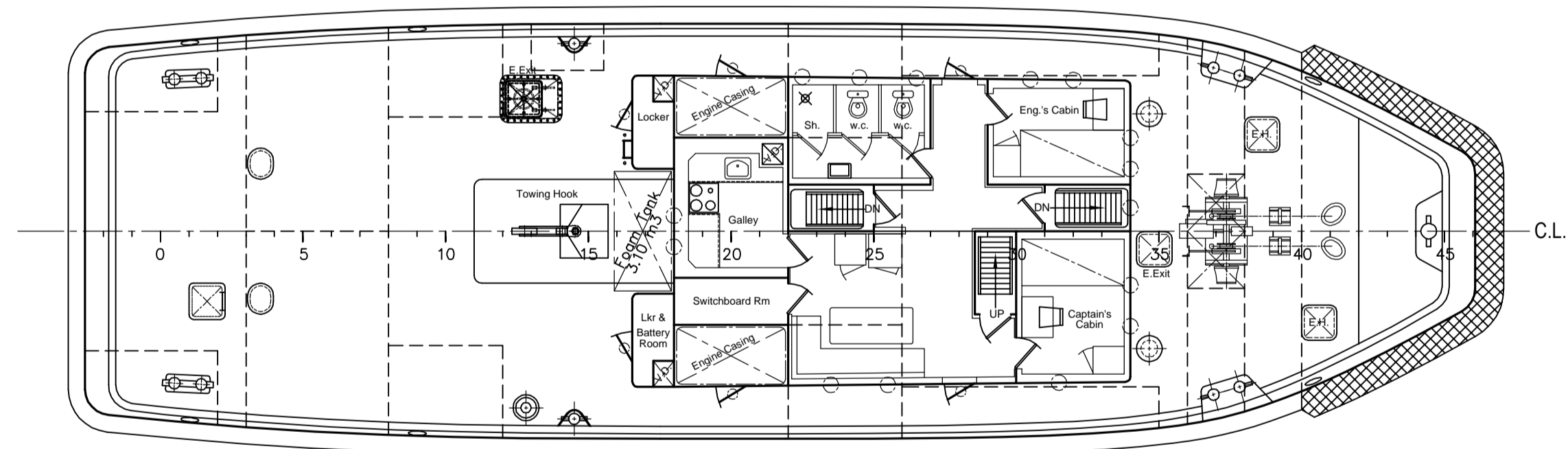
GENERAL ARRANGEMENT PLAN



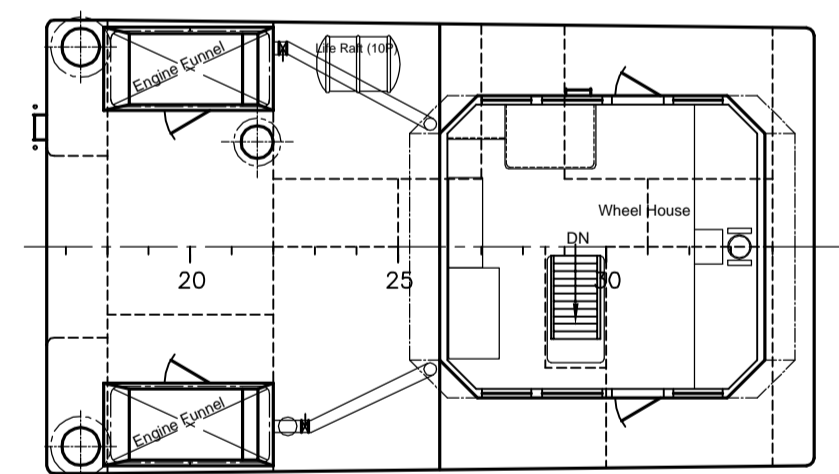
COMPASS DECK



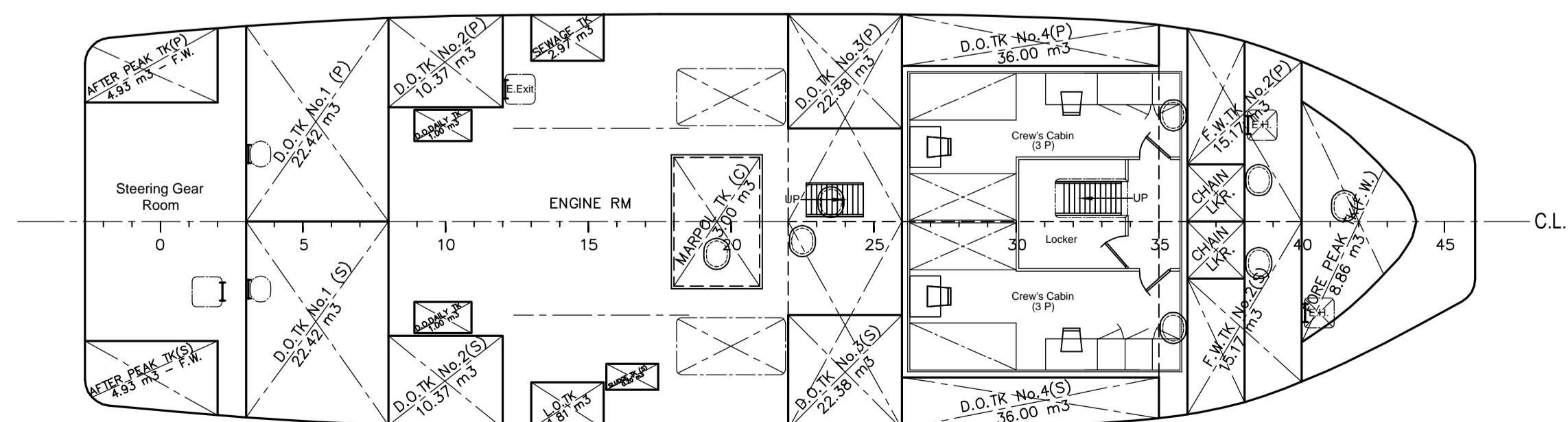
MAIN DECK



NAVIGATION DECK



VIEW BELOW MAIN DK



PRINCIPAL DIMENSIONS

Length O.A.	26.80	m
Length B.P.	24.10	m
Breadth (mid)	8.00	m
Depth to Main Dk (mid)	3.80	m
Draft (ext)	3.16	m
Displacement	429.52	t
Year of Build	2000	
Frame Spacing	0.55	m

NIKOLAOS CH. ALVANOS
 NAVAL ARCHITECT - MARINE ENGINEER
 CERT. No. 16/2 - M.S.I. Reg. No. 314

NEW HELLENIC SHIPYARDS S.A		4	
Kato Pounta, Ampelakia		3	
18902, Salamis - Greece		2	
Tel. +30 210 4670224, 4674555, 4677590		1	
Fax. +30 210 4620864		A/A	Revisions
e-mail: info@spanopoulos-group.com			Date:
www.spanopoulos-group.com			
Vessel's Name: Tug "CHRISTOS XXXVIII" - IMO No. 9227132			
Cad / Cam by:	Date:	Title:	Project Number:
N.H.A.	May 2016	GENERAL ARRANGEMENT PLAN	T 173
Checked by:	Date:		Drawing Number:
N.H.A.	May 2016		0516-173-03
			Scale:
			1:100

THIS DRAWING IS CONFIDENTIAL AND MUST NOT BE COPIED, REPRODUCED ELECTRONICALLY, ALTERED, STORED OR UTILISED IN ANY WAY OR EXHIBITED TO ANY THIRD PARTY, WITHOUT THE WRITTEN PERMISSION OF NEW HELLENIC SHIPYARDS S.A.