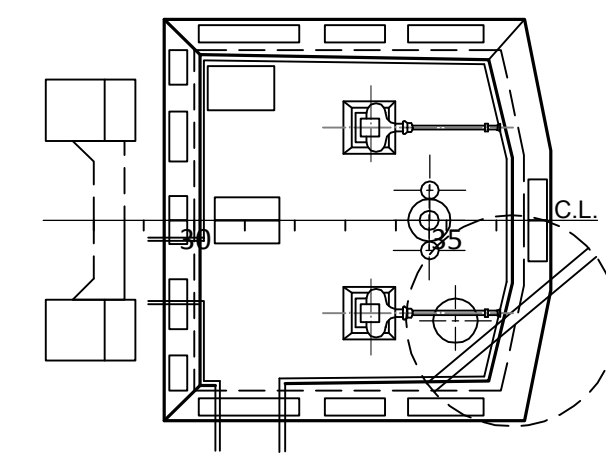
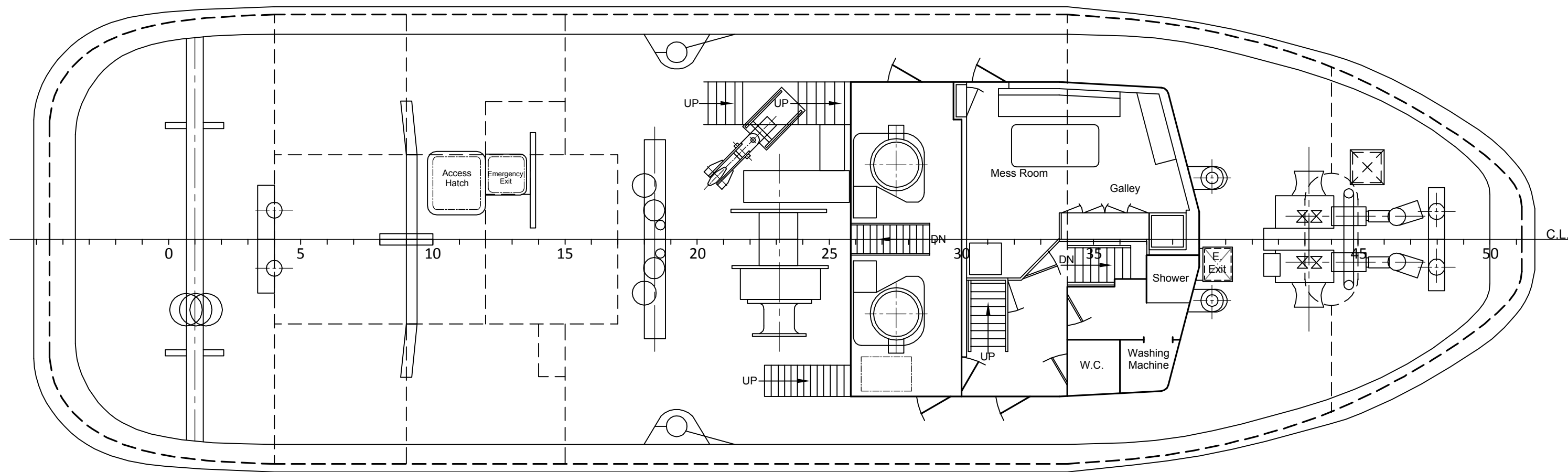


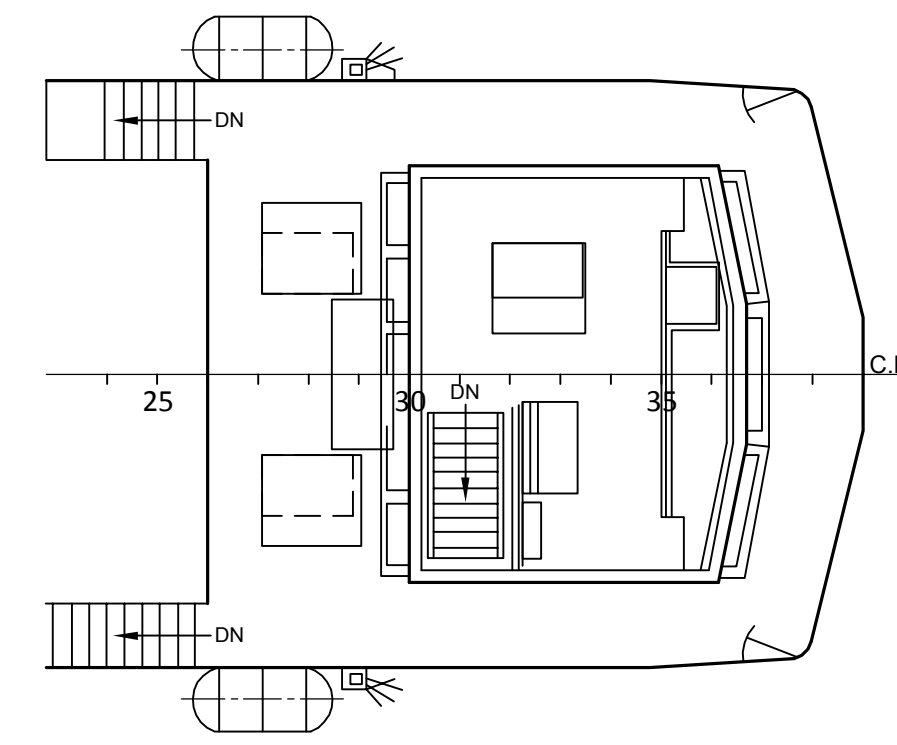
TOP BRIDGE DECK



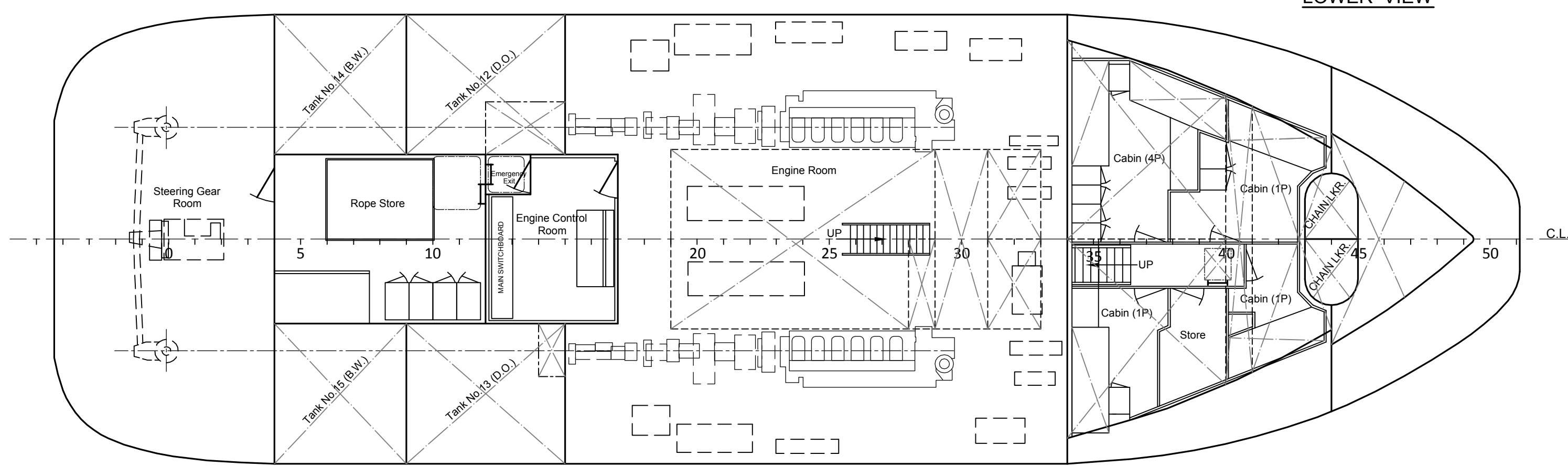
MAIN DECK



BRIDGE DECK



LOWER VIEW



PRINCIPAL CHARACTERISTICS

Length O.A.	28,40	m
Length B.P.	25,00	m
Breadth(mld)	8,50	m
Depth(mld)	4,20	m
Summer Draft (extr.)	3,25	m
Displacement	416,37	m.t.
Gross Tonnage	194	
Net Tonnage	58	
Year of Build	1981	

NEW HELLENIC SHIPYARDS S.A.		4	
P.O. Box 100, Piraeus		3	
1902, Sotiras - Greece		2	
Tel: +30 210 4620244, 4674555, 4677590		1	
Fax: +30 210 4620864			
e-mail: info@newhellenic-ships.com		AA	Revisions
www.newhellenic-ships.com			Date:
Project Name: Tug "CHRISTOS XL" - IMO No. 8012011			
Client/Owner:	Date:	Title:	Project Number:
N.H.A.	January 2017	GENERAL ARRANGEMENT PLAN	T 176
Checked by:	Date:		Drawing Number:
N.H.A.	January 2017		0117-176-02
			Scale:
			1:75

GLOBAL COPYRIGHT © THIS DRAWING IS CONFIDENTIAL AND MUST NOT BE COPIED, REPRODUCED ELECTRONICALLY, ALTERED, STORED OR UTILISED IN ANY WAY OR EXHIBITED TO ANY THIRD PARTY, WITHOUT THE WRITTEN PERMISSION OF NEW HELLENIC SHIPYARDS S.A.